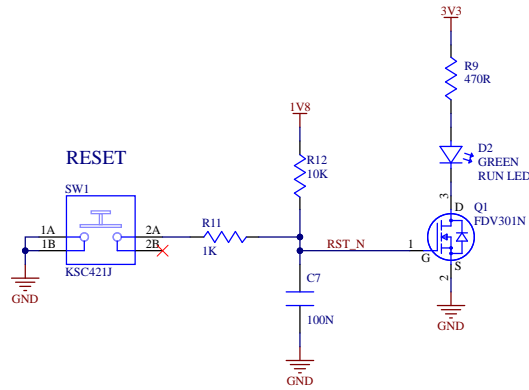
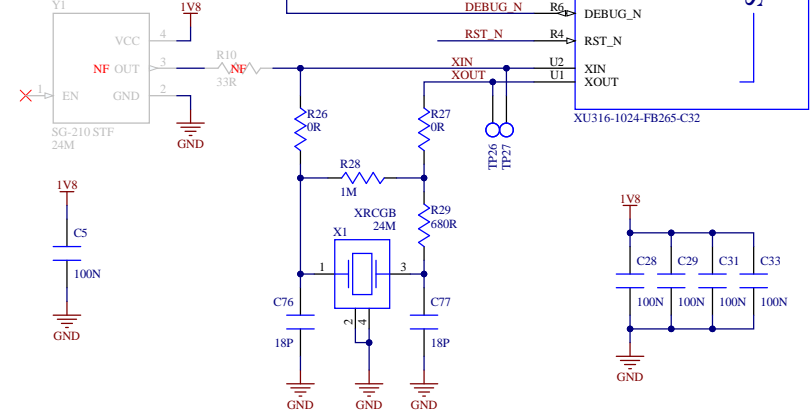
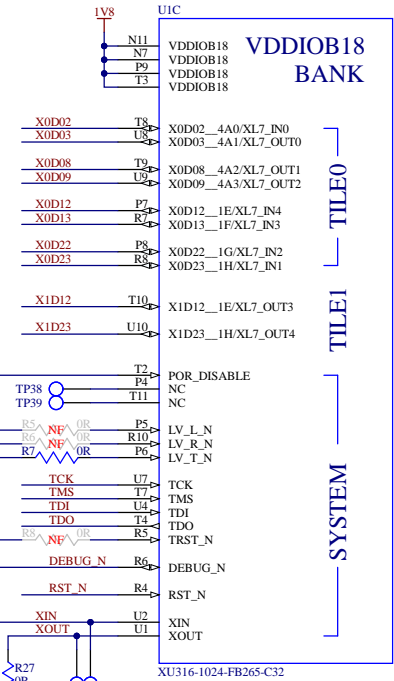
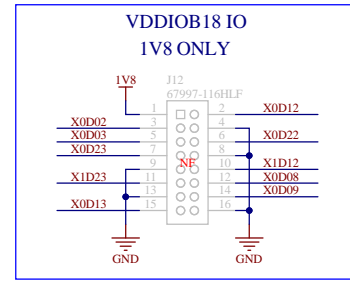
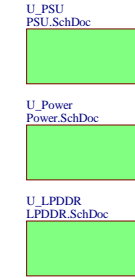
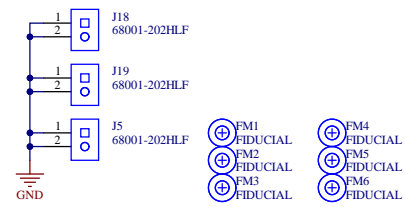


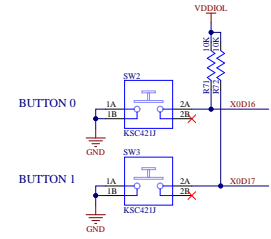
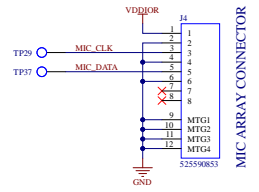
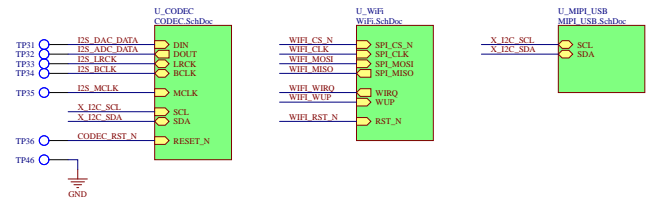
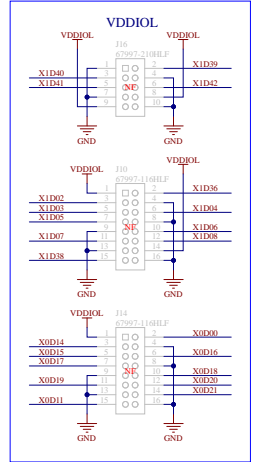
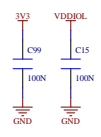
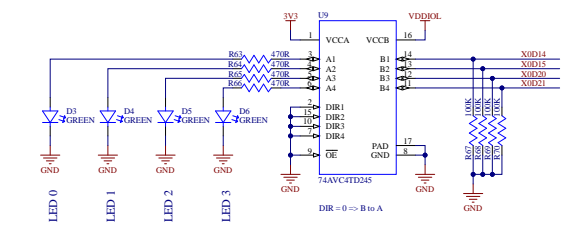
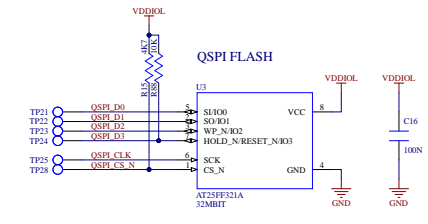
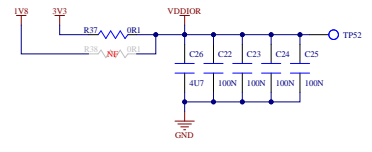
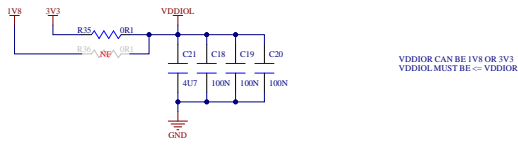
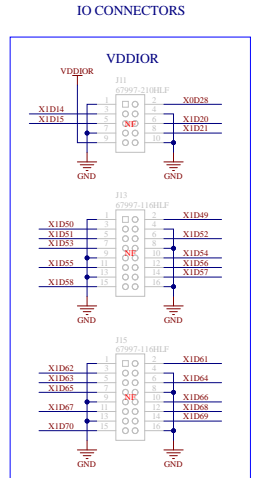
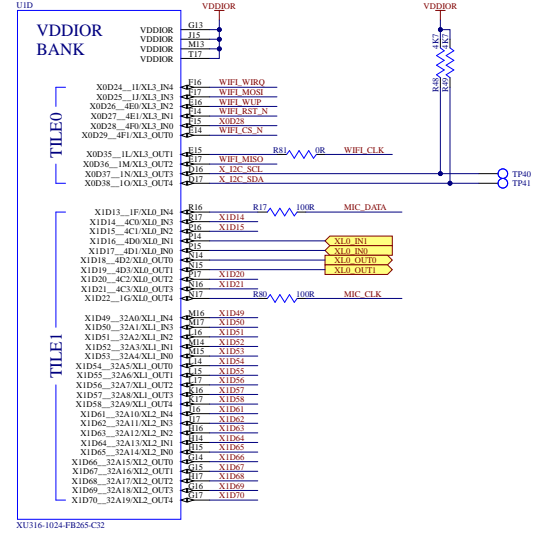
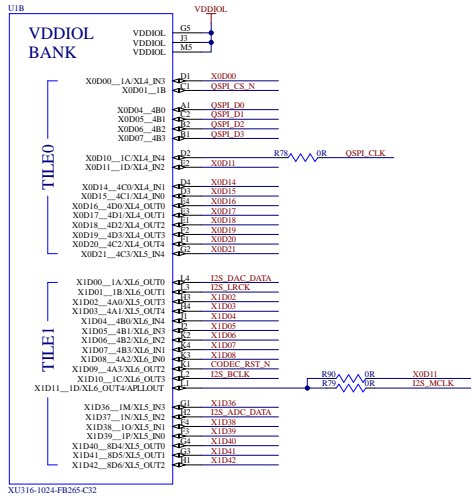
INTEGRATED XTAG AND JTAG ROUTING

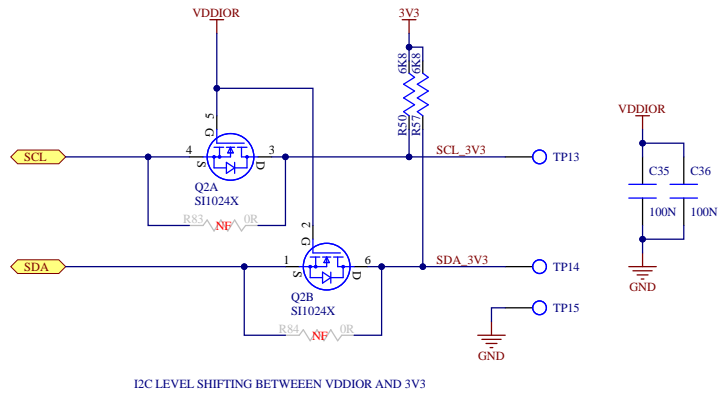


GND HEADERS

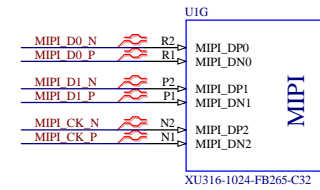
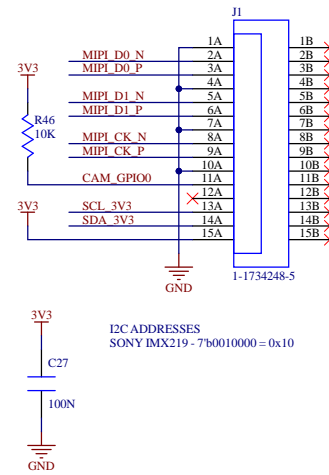


Project Name xcore.ai Explorer		
Build A	Sheet Name Top Level.SchDoc	Rev 2V0
Date 02/11/2021	Sheet 1 of 9	



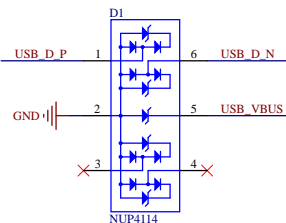
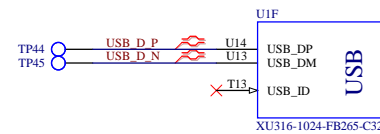
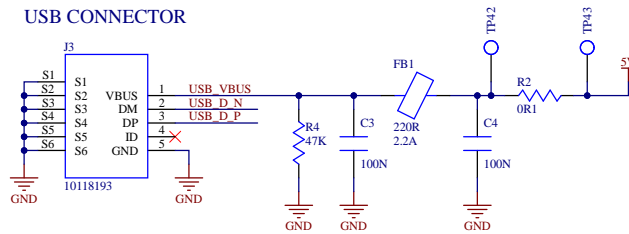


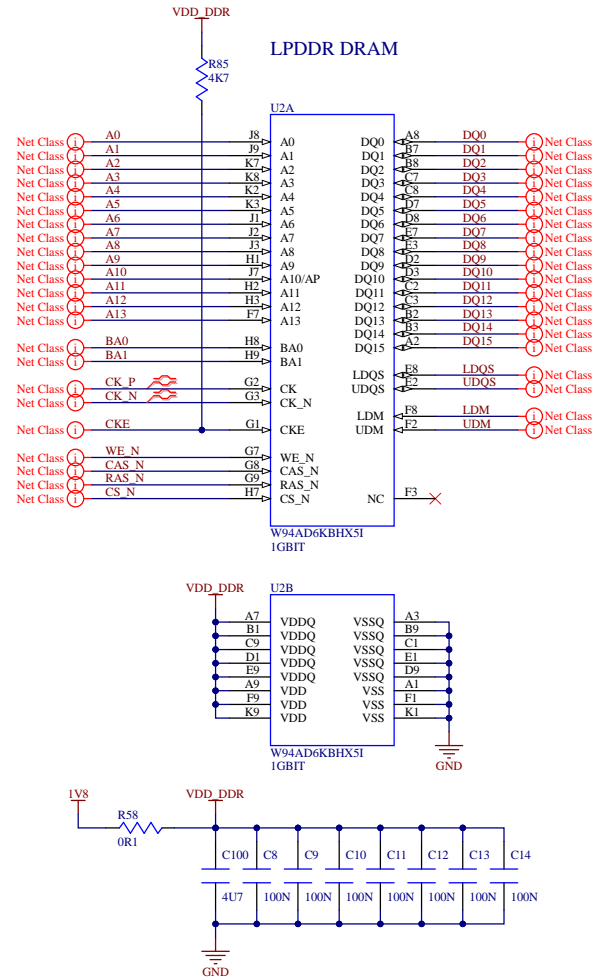
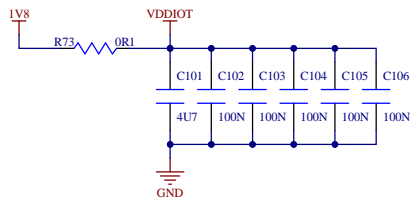
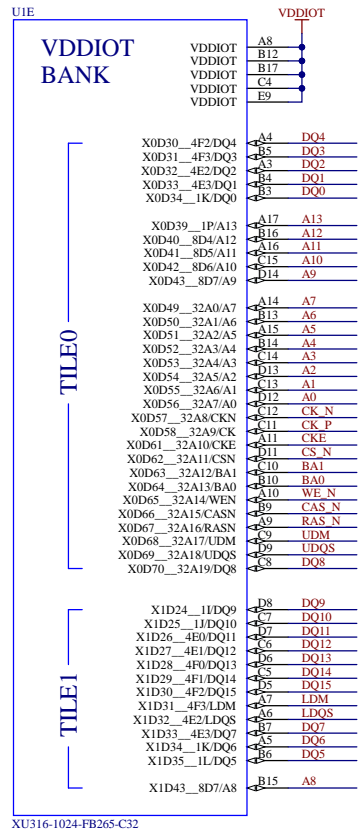
CAM_GPIO0 NORMALLY ENABLE FOR CAMERA



MIPI LANE	LANE USAGE	POLARITY SWAP
0	DATA0	YES
1	DATA1	YES
2	CLK	YES

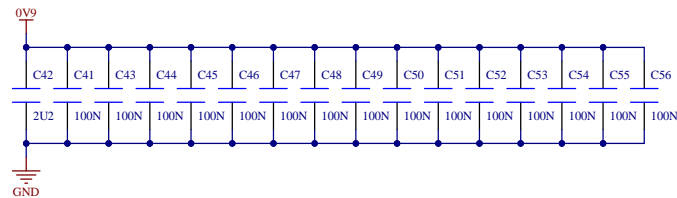
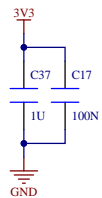
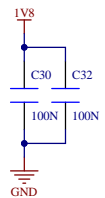
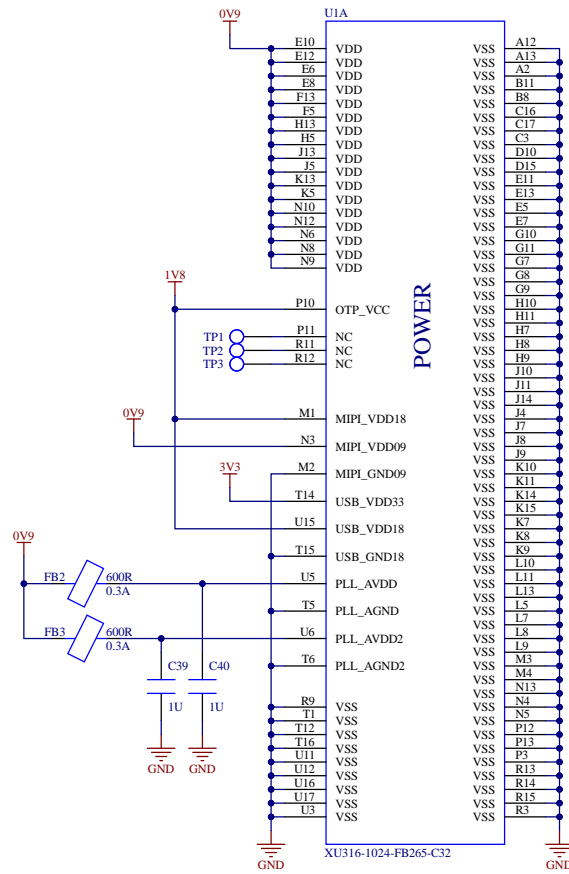
USB CONNECTOR



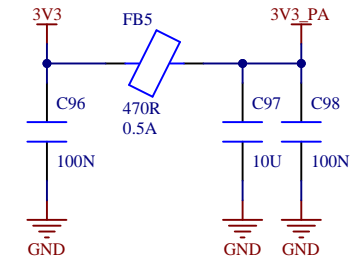
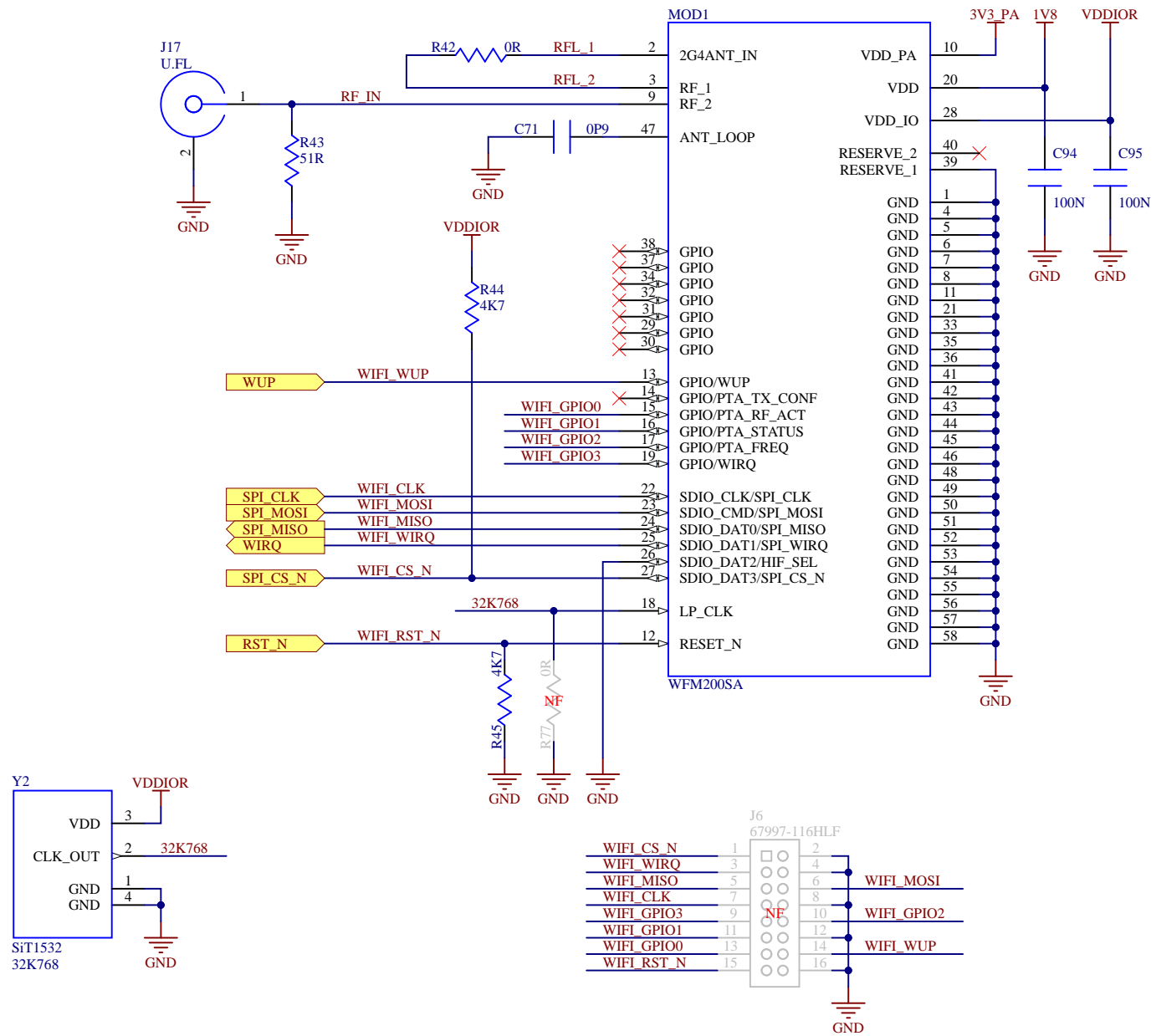



Project Name
xcore.ai Explorer

Build A	Sheet Name LPDDR.SchDoc	Rev 2V0
Date 02/11/2021	Sheet 4 of 9	



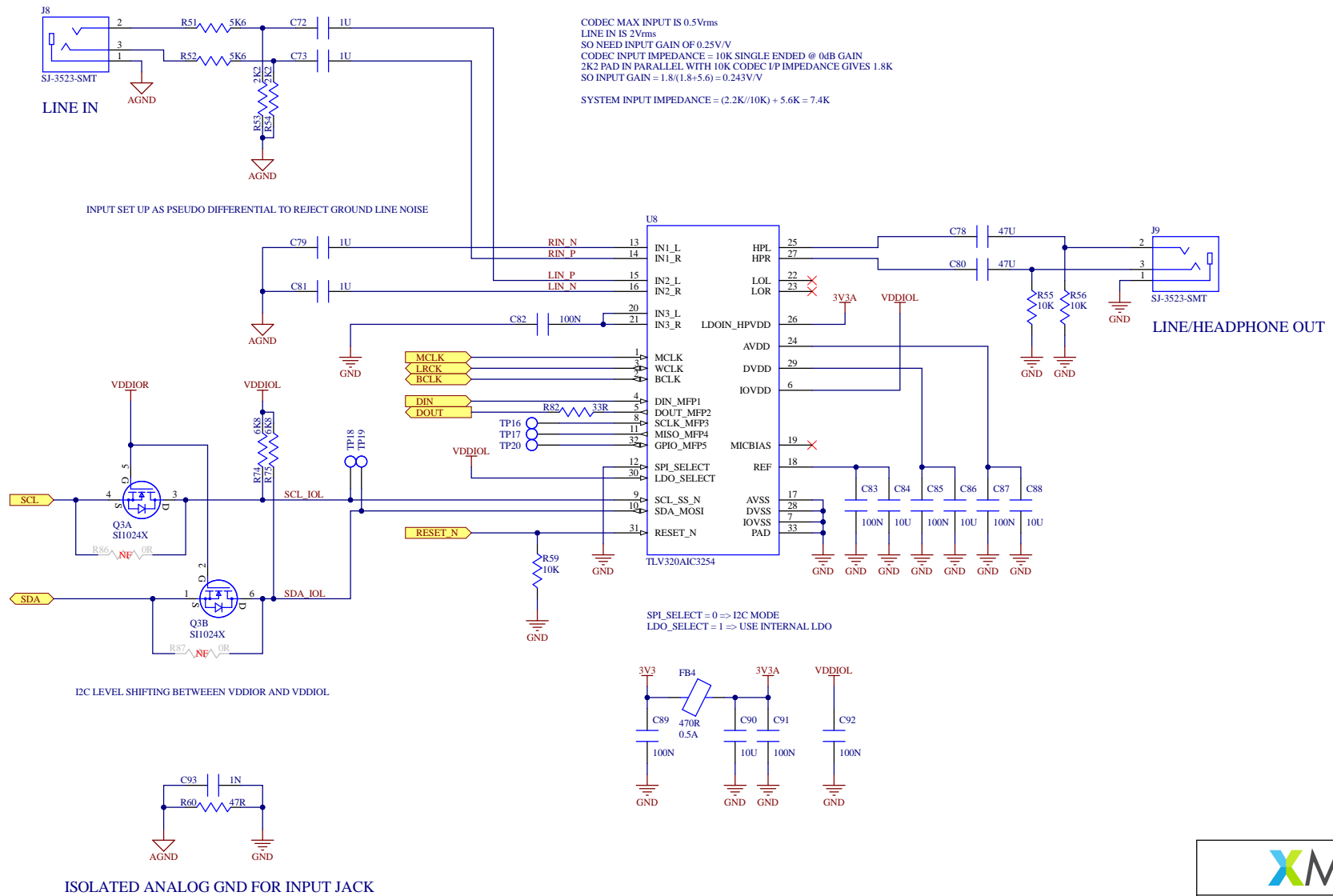
Project Name xcore.ai Explorer		
Build A	Sheet Name Power.SchDoc	Rev 2V0
Date 02/11/2021	Sheet 5 of 9	



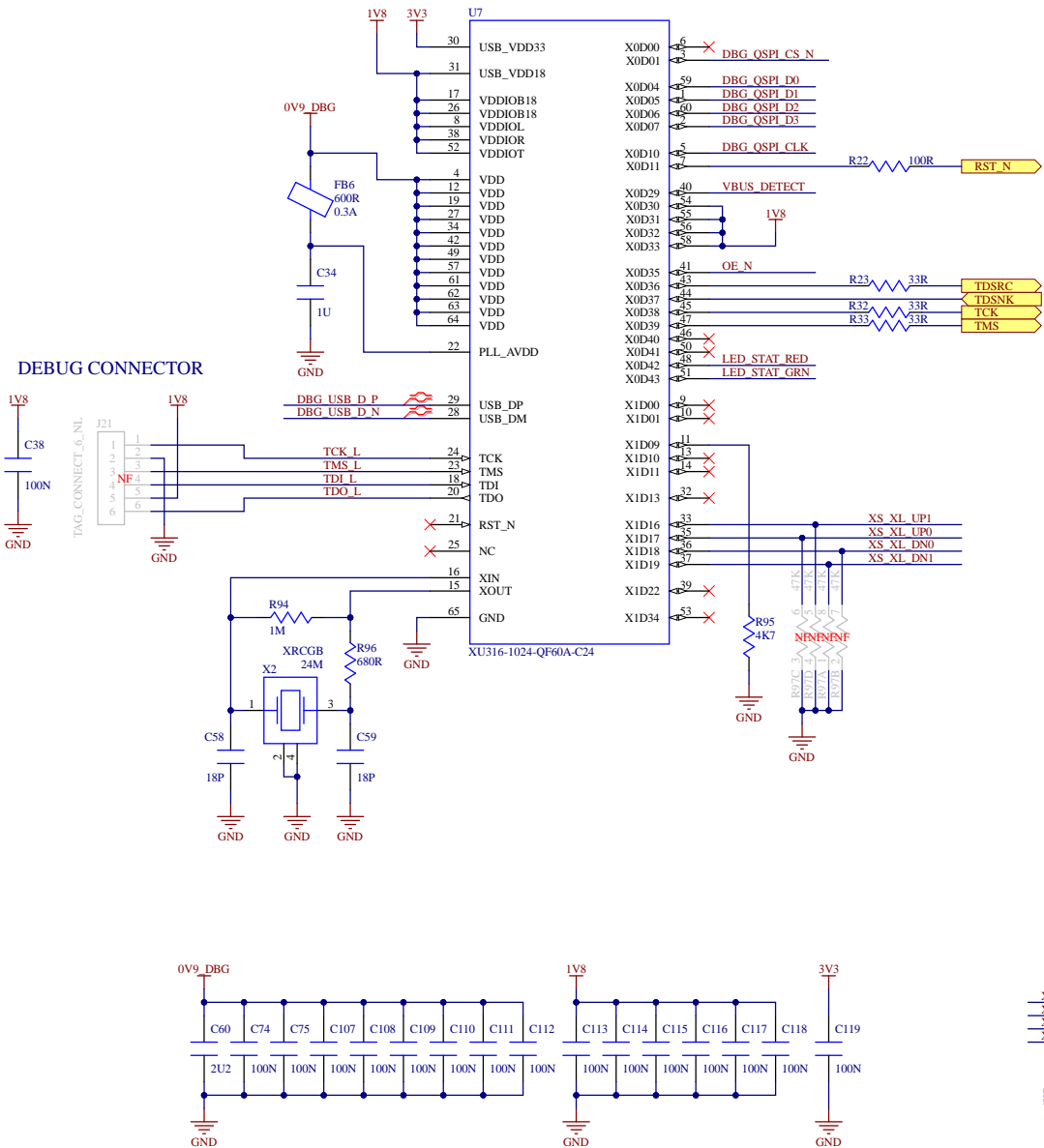


Project Name
xcore.ai Explorer

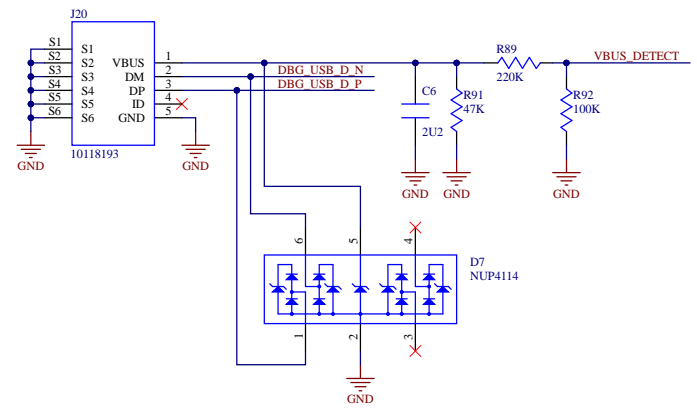
Build A	Sheet Name WiFi.SchDoc	Rev 2V0
Date 02/11/2021	Sheet 6 of 9	



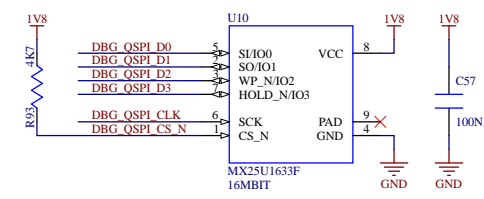
Project Name xcore.ai Explorer		
Build A	Sheet Name CODEC.SchDoc	Rev 2V0
Date 02/11/2021	Sheet 7 of 9	



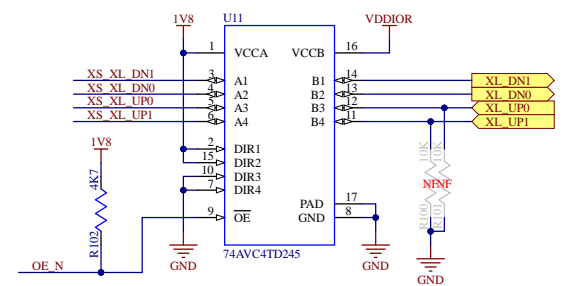
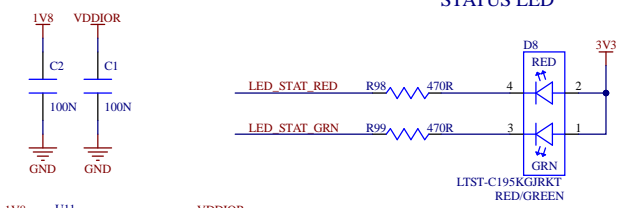
USB CONNECTOR



QSPI FLASH

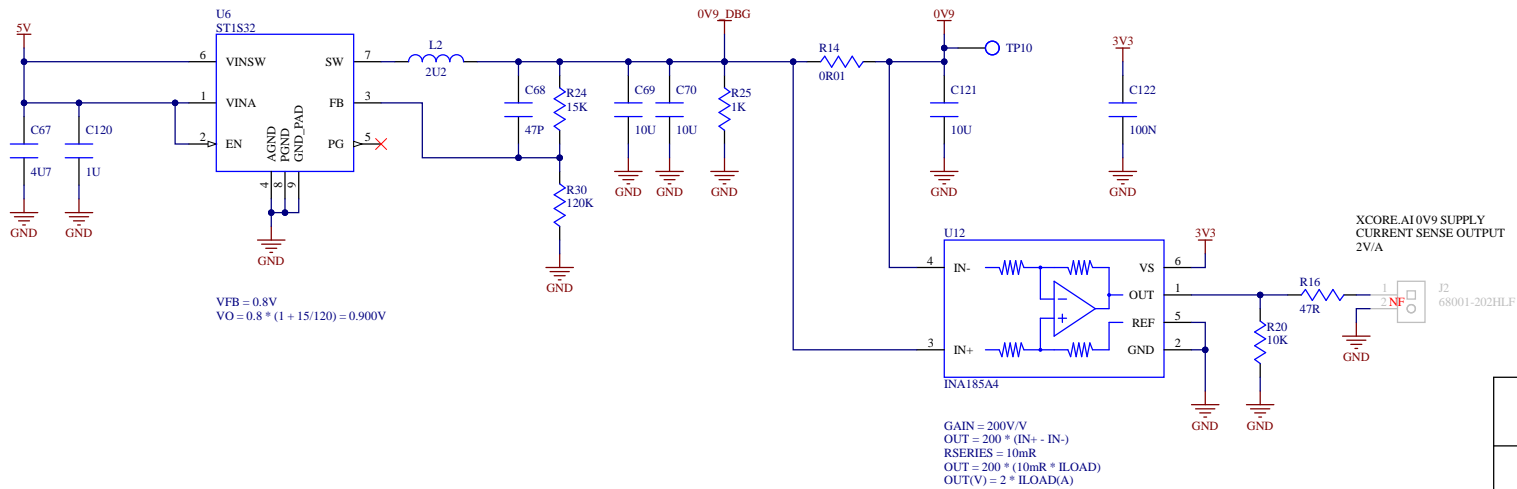
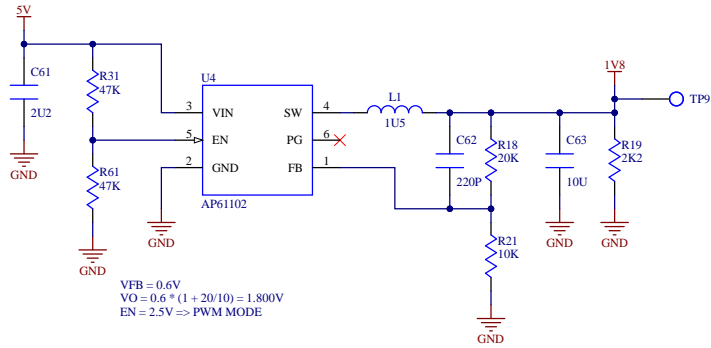
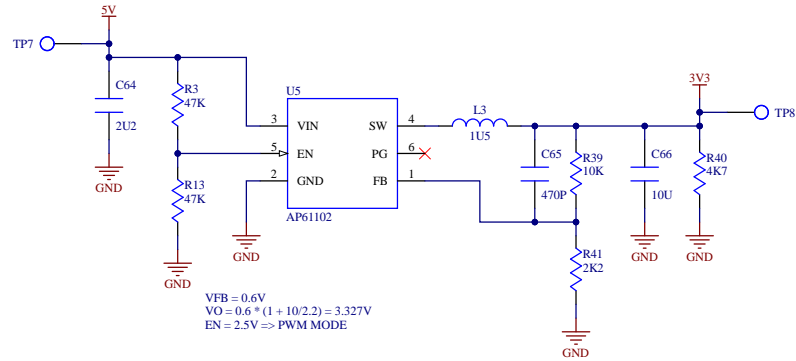


STATUS LED



DIR = 1 => A to B
DIR = 0 => B to A

Project Name xcore.ai Explorer		
Build A	Sheet Name XTAG4.SchDoc	Rev 2V0
Date 02/11/2021	Sheet 8 of 9	



Project Name
xcore.ai Explorer

Build A	Sheet Name PSU.SchDoc	Rev 2V0
Date 02/11/2021	Sheet 9 of 9	