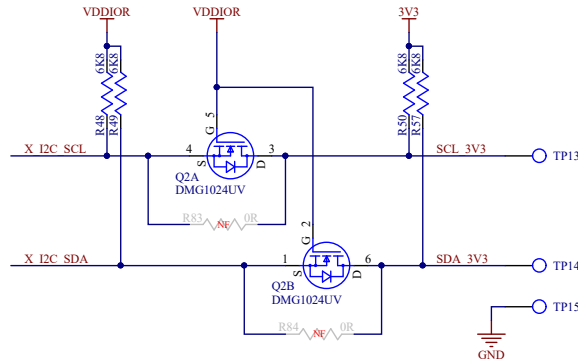
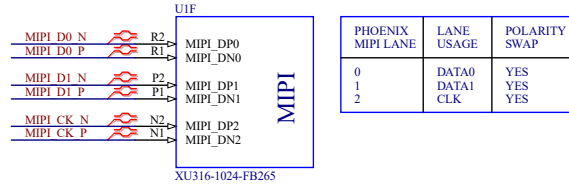
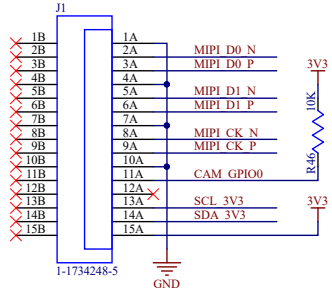
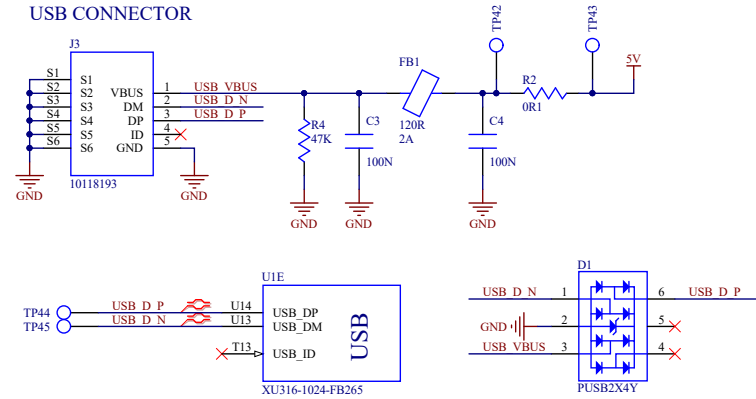


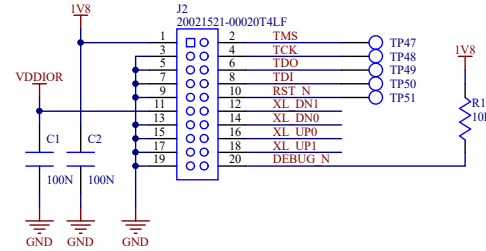
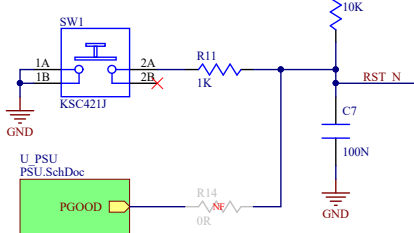
CAM\_GPIO0 NORMALLY ENABLE FOR CAMERA



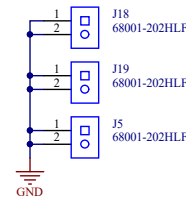
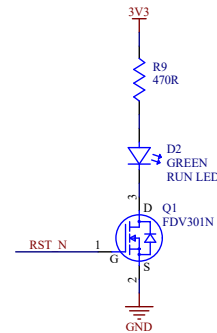
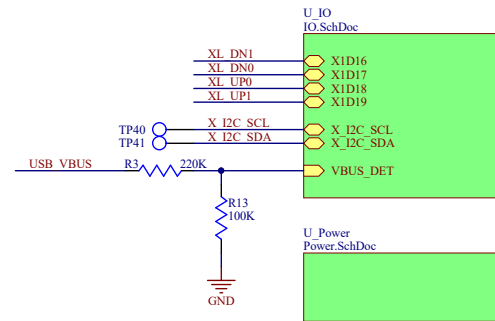
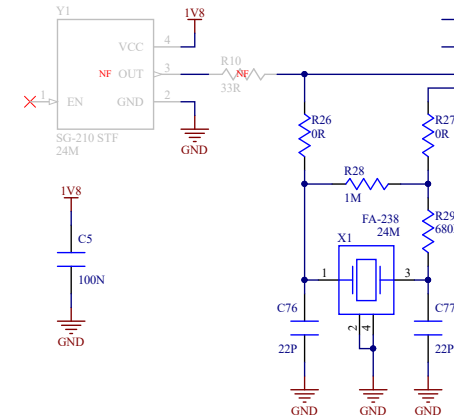
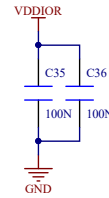
USB CONNECTOR



RESET

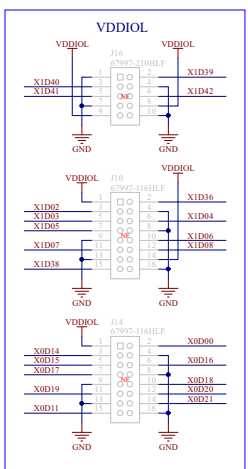
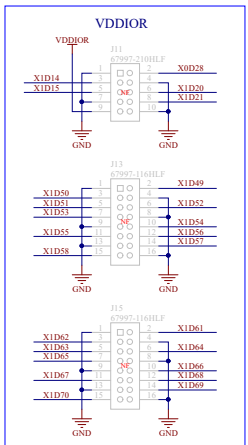
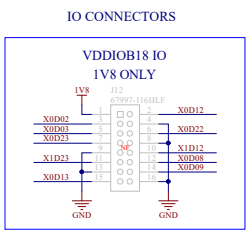
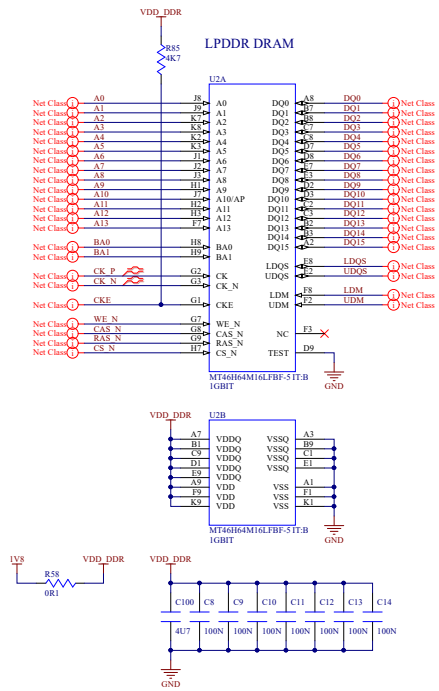
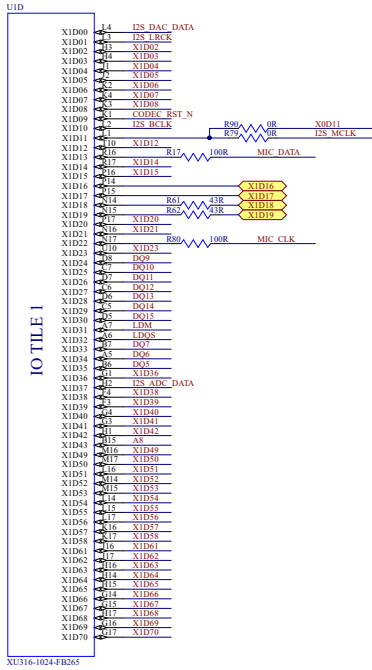
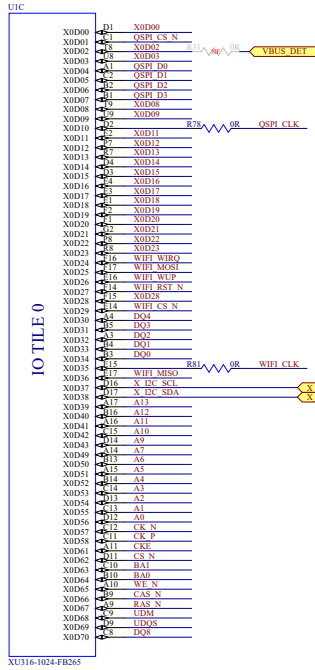


VDDIOR CAN BE 1V8 OR 3V3  
VDDIOL MUST BE <= VDDIOR

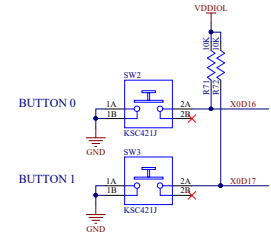
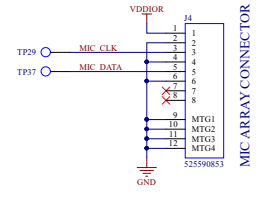
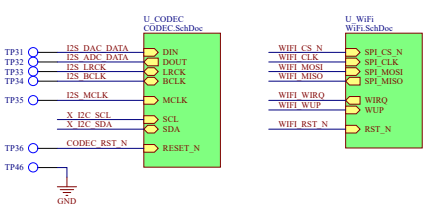
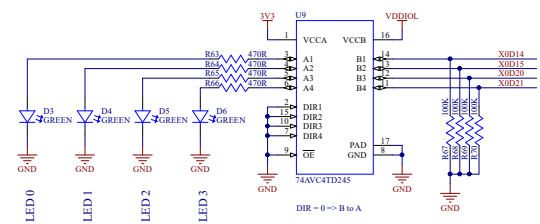
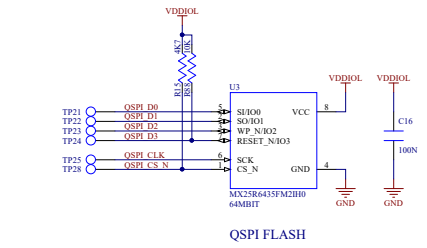


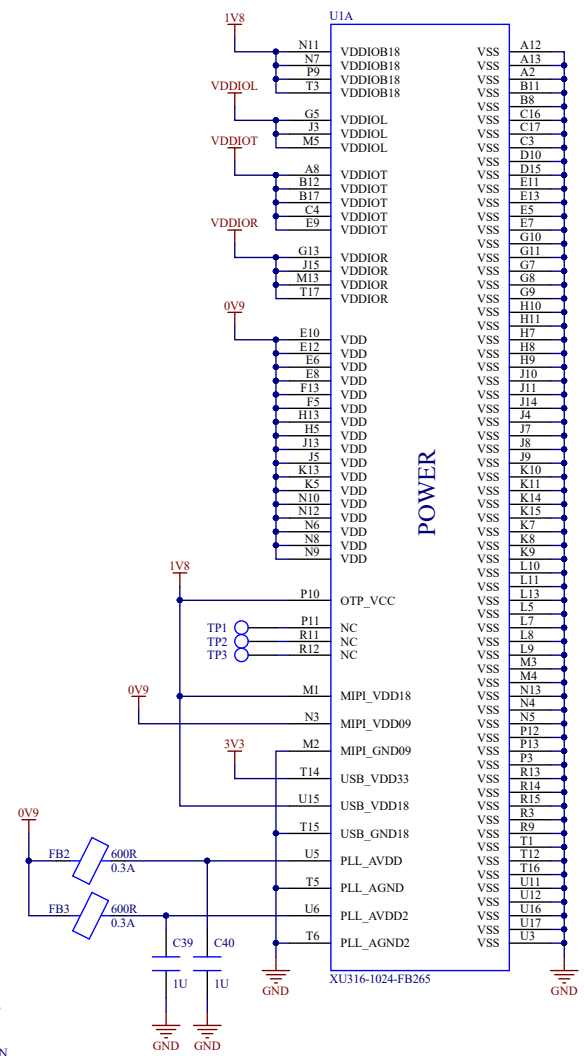
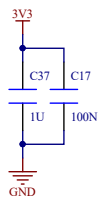
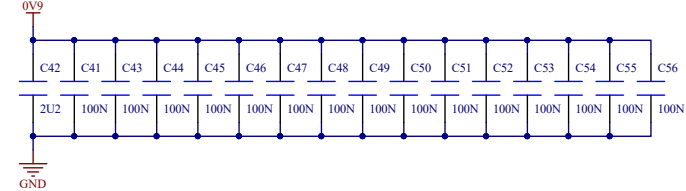
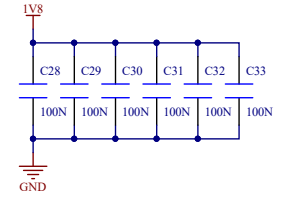
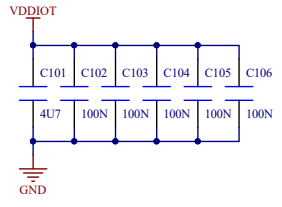
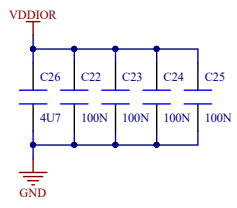
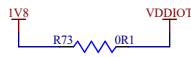
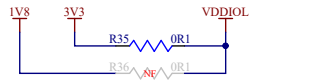
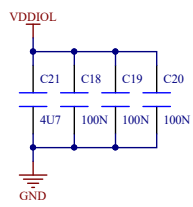
Project Name  
xcore.ai Explorer

Build A	Sheet Name Top Level.SchDoc	Rev 1V1
Date 07/07/2020	Sheet 1 of 6	

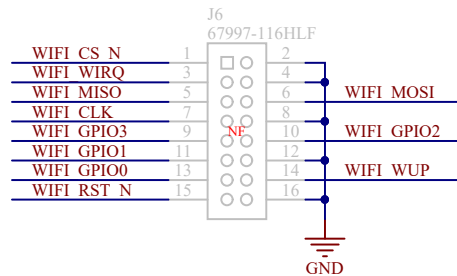
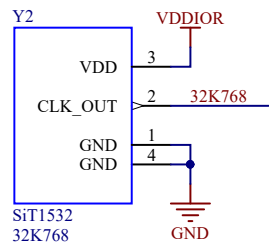
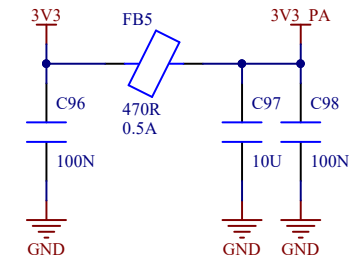
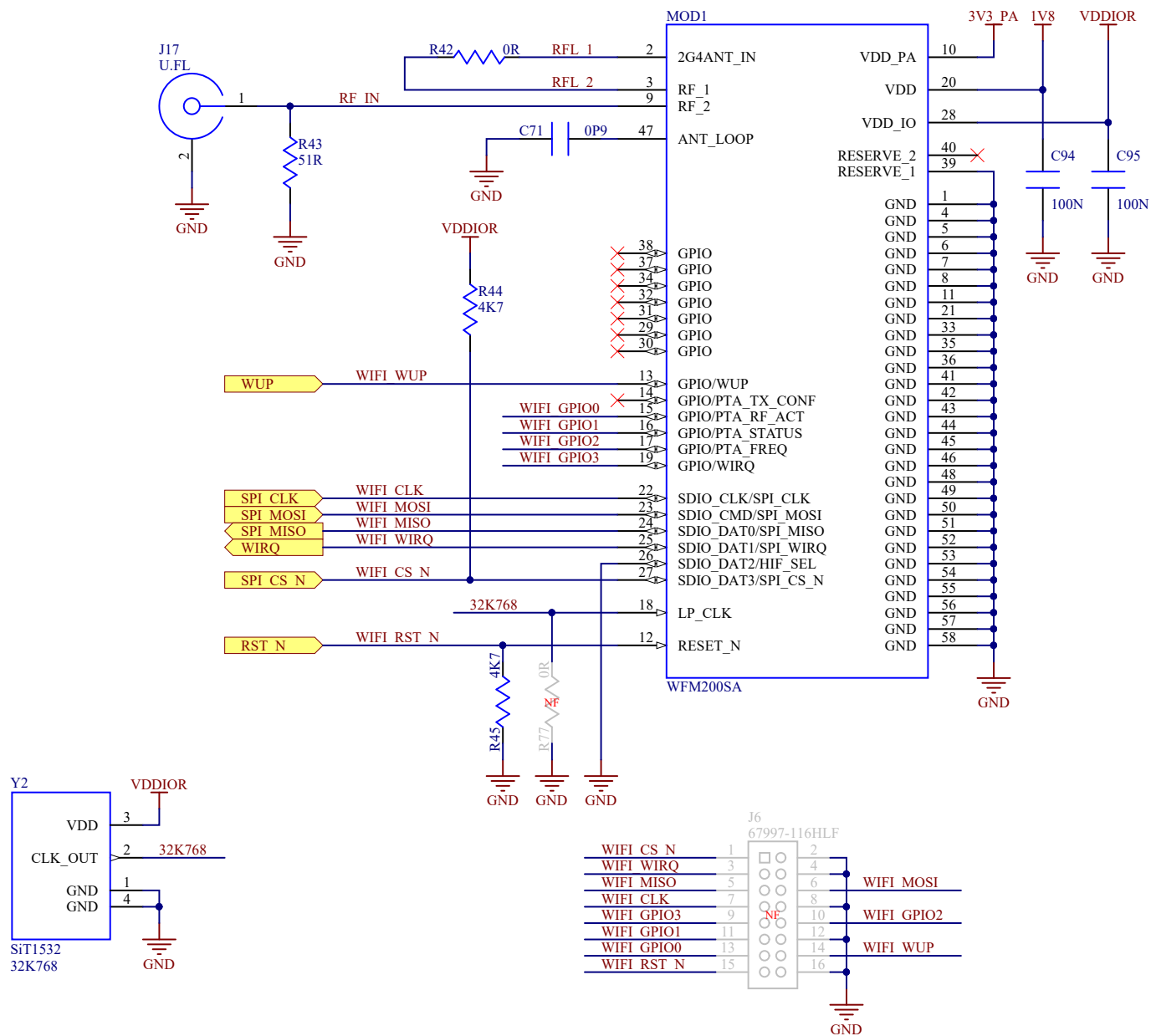


<b>XMOS</b>		
Project Name xcore.ai Explorer		
Build A	Sheet Name IO.SchDoc	Rev 1V1
Date 07/07/2020	Sheet 2 of 6	



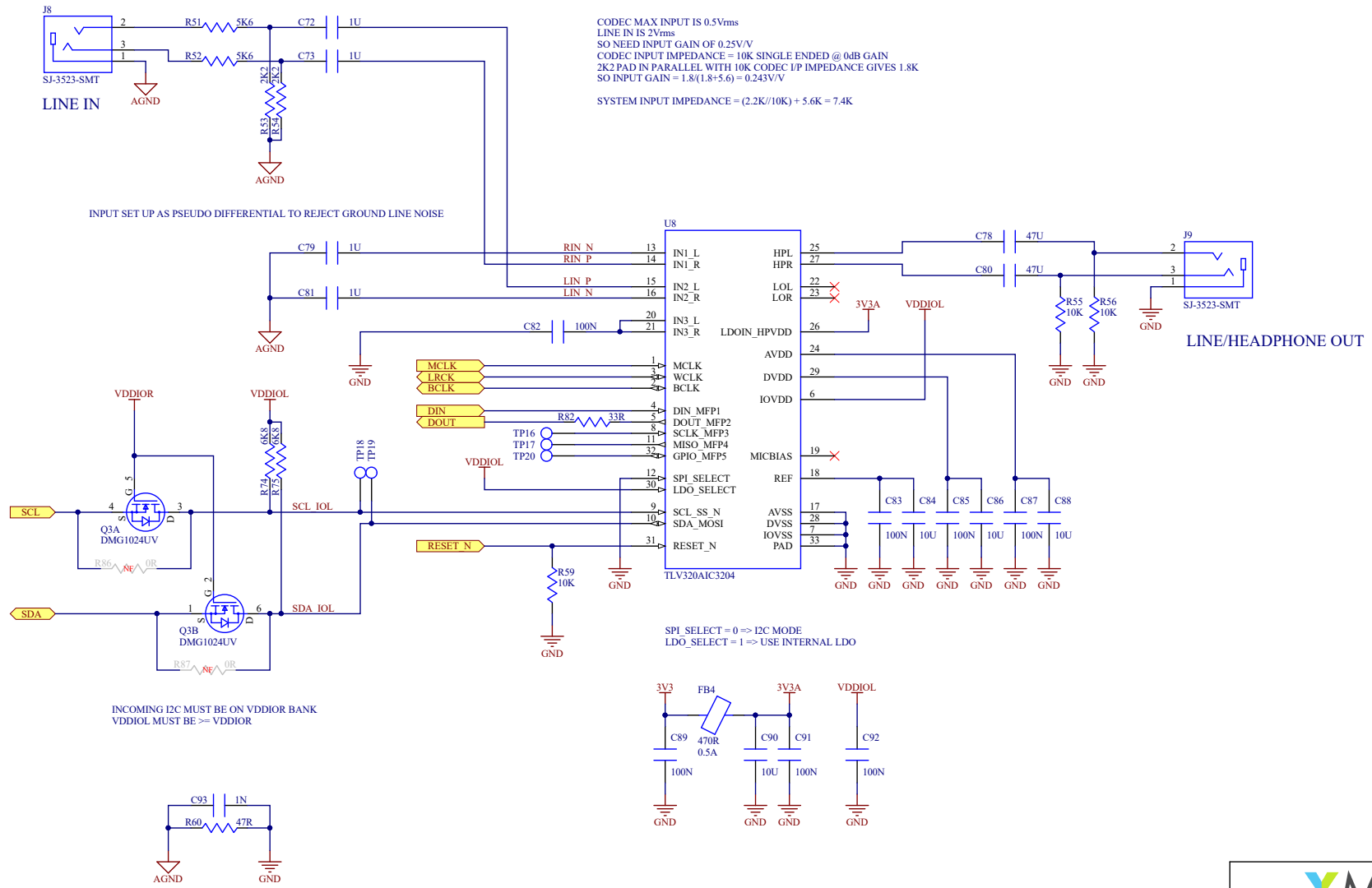


<b>XMOS<sup>®</sup></b>		
Project Name xcore.ai Explorer		
Build A	Sheet Name Power.SchDoc	Rev 1V1
Date 07/07/2020	Sheet 3 of 6	

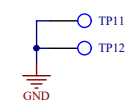
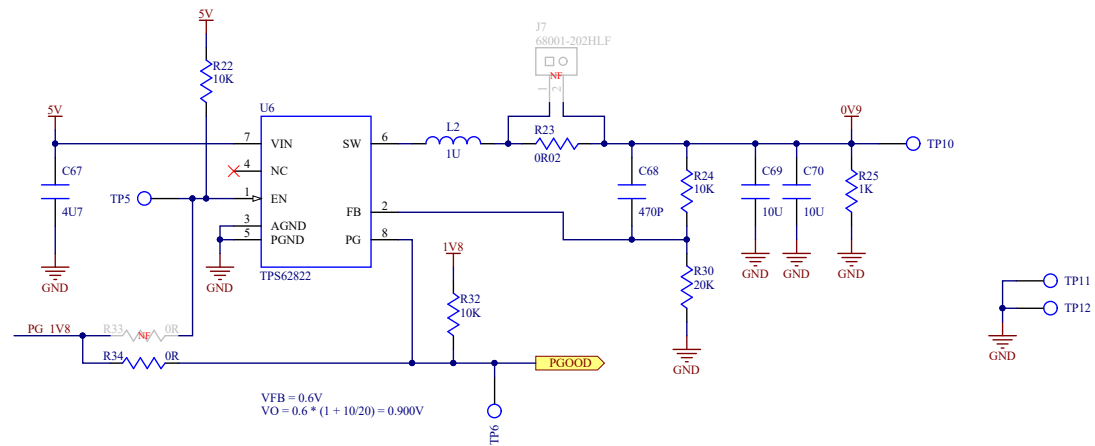
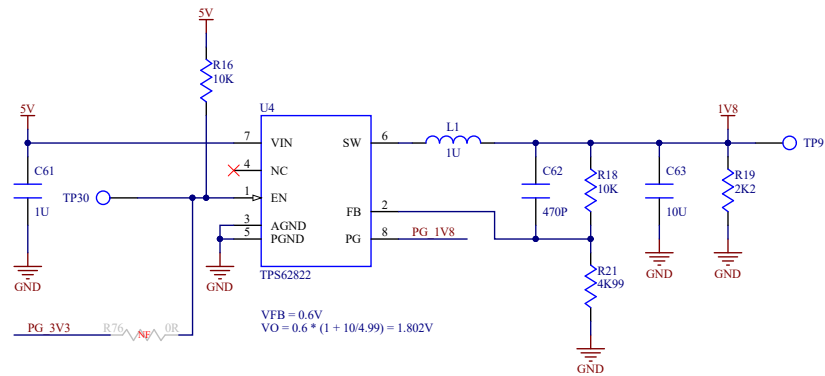
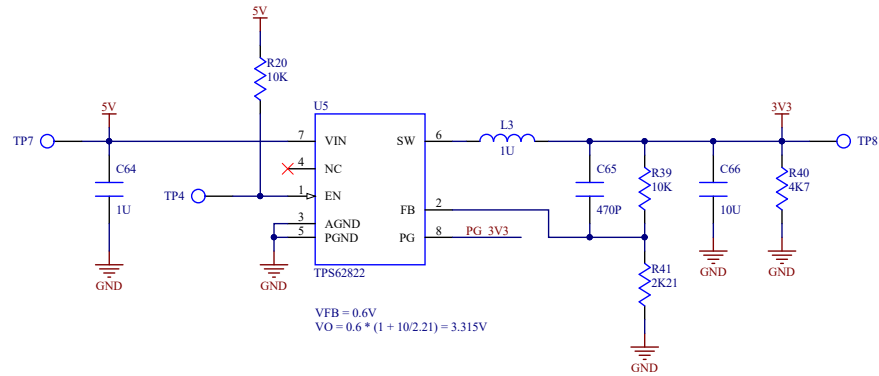


Project Name  
xcore.ai Explorer

Build	Sheet Name	Rev
A	WiFi.SchDoc	1V1
Date	07/07/2020	Sheet 4 of 6



Project Name xcore.ai Explorer		
Build A	Sheet Name CODEC.SchDoc	Rev 1V1
Date 07/07/2020	Sheet 5 of 6	



Project Name  
 xcore.ai Explorer

Build A	Sheet Name PSU.SchDoc	Rev 1V1
Date 07/07/2020	Sheet 6 of 6	